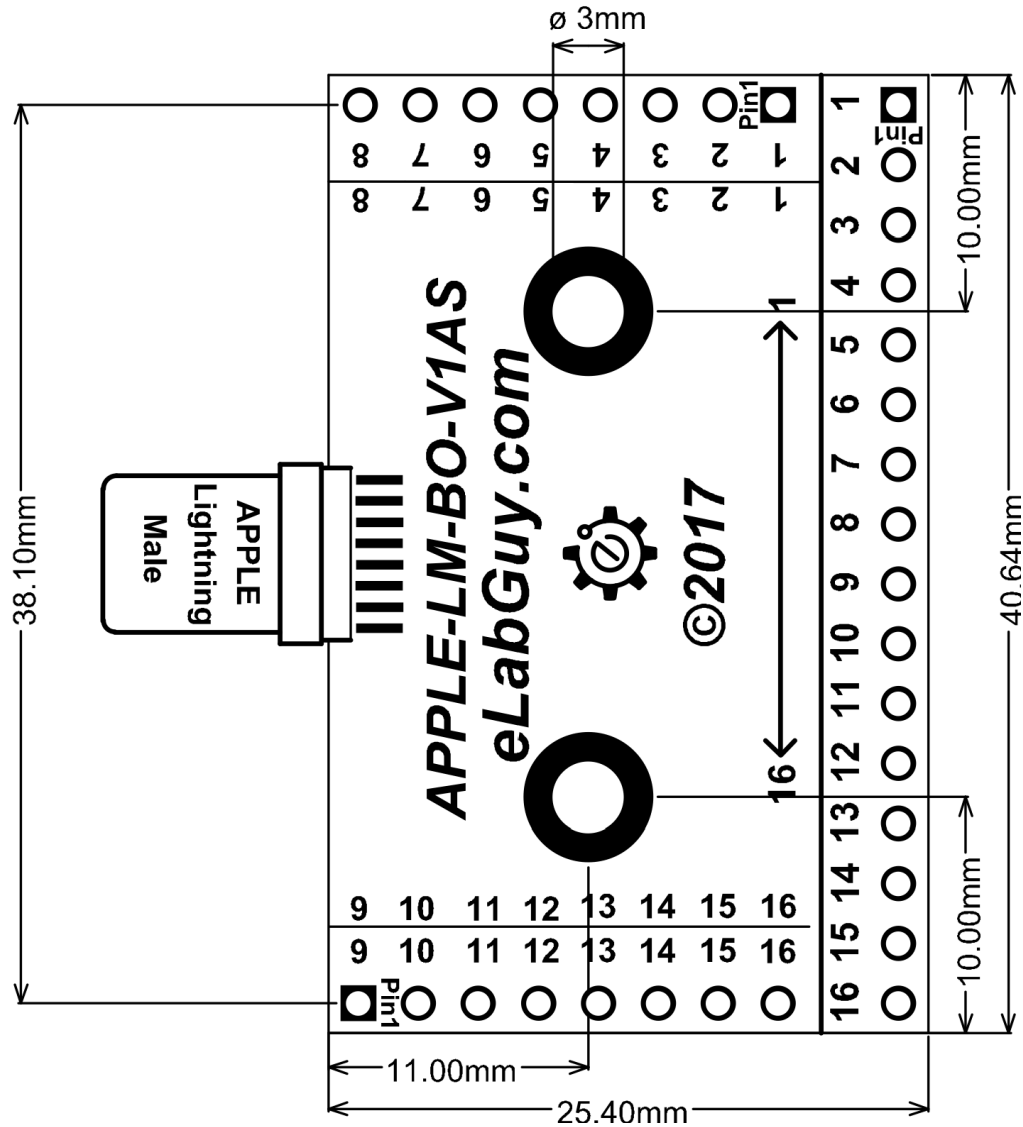
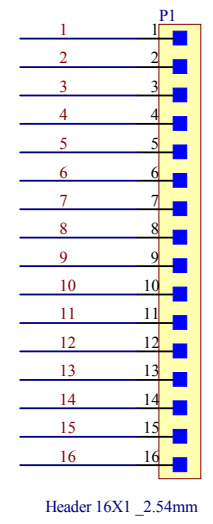
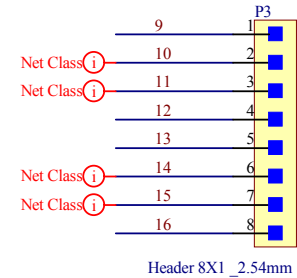
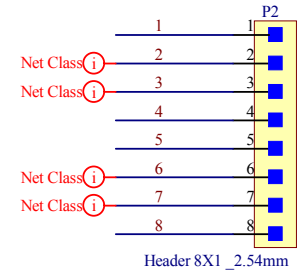
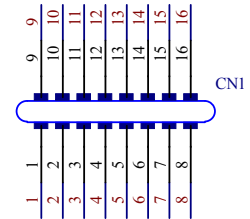


\* PCB 0.8mm THICKNESS



Apple Lightning Male wide



Title			<b>APPLE Lightning Male Connector Breakout (side)</b>		
Size	Number	Revision			
A4	<b>APPLE-LM-V1AS</b>	<b>1AS</b>			
Date:	8/11/2017	Sheet of			
File:	C:\Users\...APPLE-LM-BO-V1AS Drawing	Drawn By:		www.ElabGuy.com	